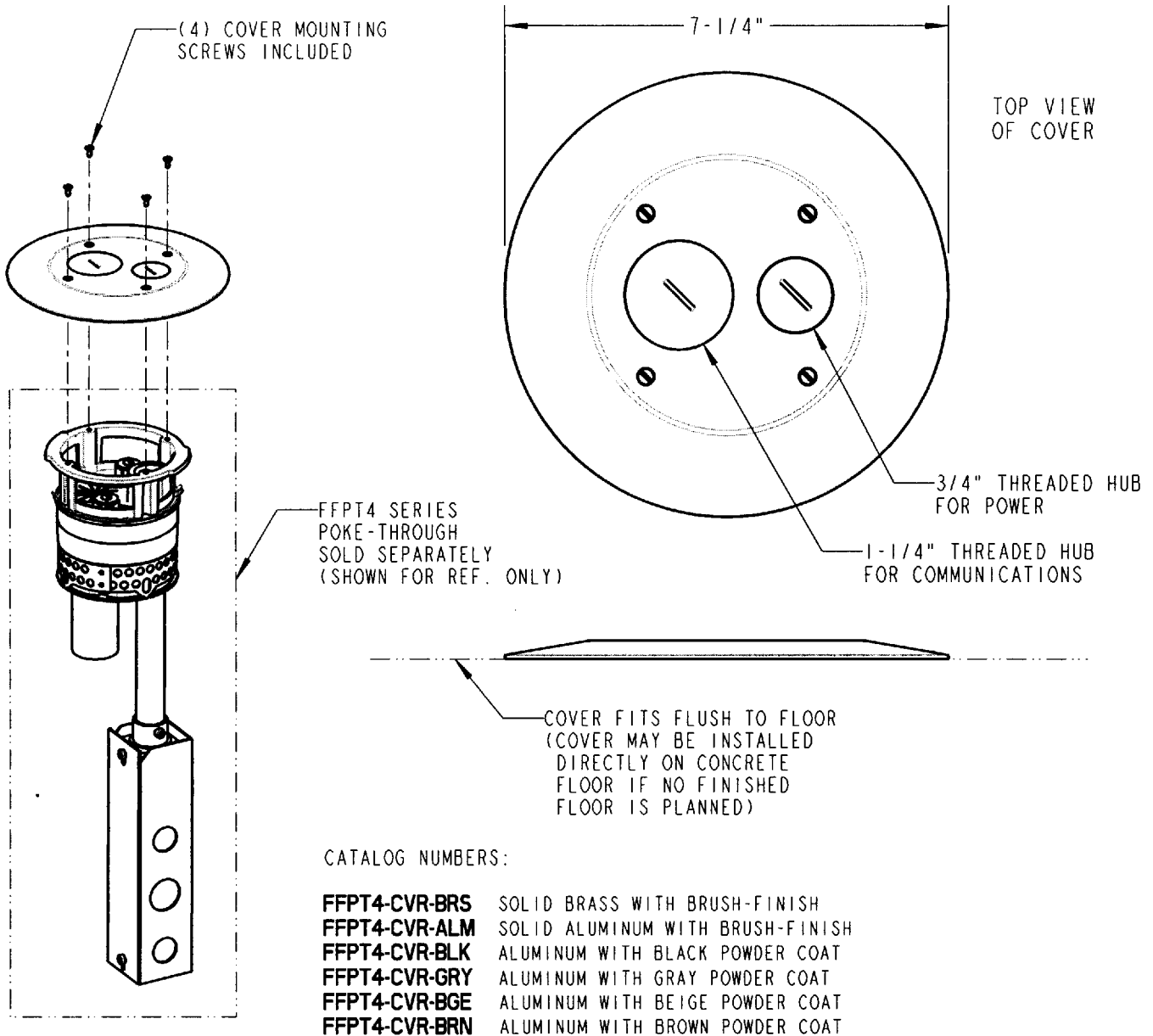


# Steel City



## SPECIFICATIONS / FEATURES:

- FOR USE WITH FFPT4 SERIES FURNITURE FEED POKE-THROUGH ASSEMBLIES AND BASE UNITS.
- ALL METAL CONSTRUCTION.
- (1) 1-1/4" NPS THREADED HUB (WITH PLUG) AND (1) 3/4" NPS THREADED HUB (WITH PLUG).
- CIRCULAR BRUSH-FINISH FOR BRASS AND ALUMINUM COVERS, OR POWDER-COATED FINISH FOR BLK, GRY, BGE, AND BRN.



<b>GENERAL NOTES</b>		<b>Thomas &amp; Betts</b>			
<ol style="list-style-type: none"> <li>ALL DIMENSIONS ARE FOR REFERENCE ONLY.</li> <li>DIMENSIONS IN BRACKETS [ ] ARE IN METRIC UNITS.</li> </ol>					
<b>REVISIONS</b>		<b>DESCRIPTION: FFPT4-XXX FURNITURE FEED METALLIC COVER XXX - DENOTES COVER MATERIAL OR FINISH</b>			
<b>**</b> SEE ERN (****) FOR APPROVAL SIGNATURES & RELEASE DATE. PROJECT NO: ****		ORIGINAL PROJECT NO / ( ERN NO )	SHEET NO:	REV. NO:	DRAWING NO:
		UD55687 / ( 2008158 )	1 OF 1	-	<b>WSD-000344</b>